

CONNECTION HEADS



Type: TTM200
Execution: IP65
Material: Aluminium Cu free
Electrical Inlet: PG9 / M16x1,5
Process Inlet: M10x1 / G ¼ / G 1/8



Type: DIN B
Execution: IP65
Material: Aluminium Cu free
Electrical Inlet: PG16 / M20x1,5 / G ½
Process Inlet: G ½



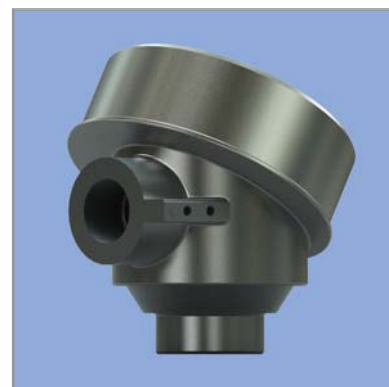
Type: DIN A
Execution: IP65
Material: Aluminium Cu free
Electrical Inlet: PG16 / M20x1,5 / G ½
Process Inlet: G ¼ / G ¾ / Ø 32



Type: KNE
Execution: IP65
Material: Aluminium Cu free
Electrical Inlet: G ½ / ½NPT
Process Inlet: M20x1,5 / G ½ / ½NPT



Type: TTF050
Execution: IP54
Material: Plastic
Electrical Inlet: PG16 / M20x1,5
Process Inlet: G ½ / M24x1,5



Type: 1080SE
Execution: IP66
Material: SS 316
Electrical Inlet: ½NPT / ¾NPT
Process Inlet: ½NPT / ¾NPT



Type: DANA / DANAW
Execution: Ex e - IP67
Material: Aluminium Cu free
Electrical Inlet: ½NPT / ¾NPT
Process Inlet: ½NPT / ¾NPT



Type: DAND / DANDW
Execution: IP67
Material: Aluminium Cu free
Electrical Inlet: ½NPT / ¾NPT
Process Inlet: ½NPT / ¾NPT

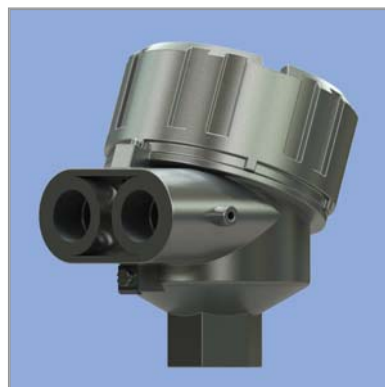
CONNECTION HEADS



Type: TTE500
Execution: Ex d - IP66
Material: Aluminium Cu free
Electrical Inlet: ½NPT / ¾NPT
Process Inlet: ½NPT / ¾NPT



Type: TTE550
Execution: Ex d - P65
Material: Aluminium Cu free
Electrical Inlet: ½NPT / ¾NPT
Process Inlet: ½NPT / ¾NPT



Type: TTE600
Execution: Ex d - IP65
Material: SS 316
Electrical Inlet: ½NPT / ¾NPT
Process Inlet: ½NPT / ¾NPT



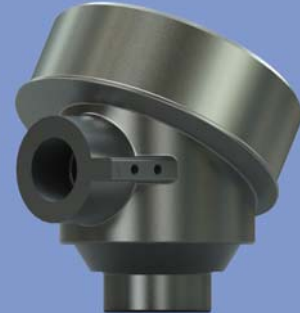
Type: TTE650
Execution: Ex d - IP65
Material: SS 316
Electrical Inlet: ½NPT / ¾NPT
Process Inlet: ½NPT / ¾NPT



Type: XD-AD
Execution: Ex d - IP66
Material: Aluminium Cu free
Electrical Inlet: ½NPT / ¾NPT
Process Inlet: ½NPT / ¾NPT

ATEX CONNECTION HEADS

Ex ia-ib / Ex nA



Ex d



Ex e

