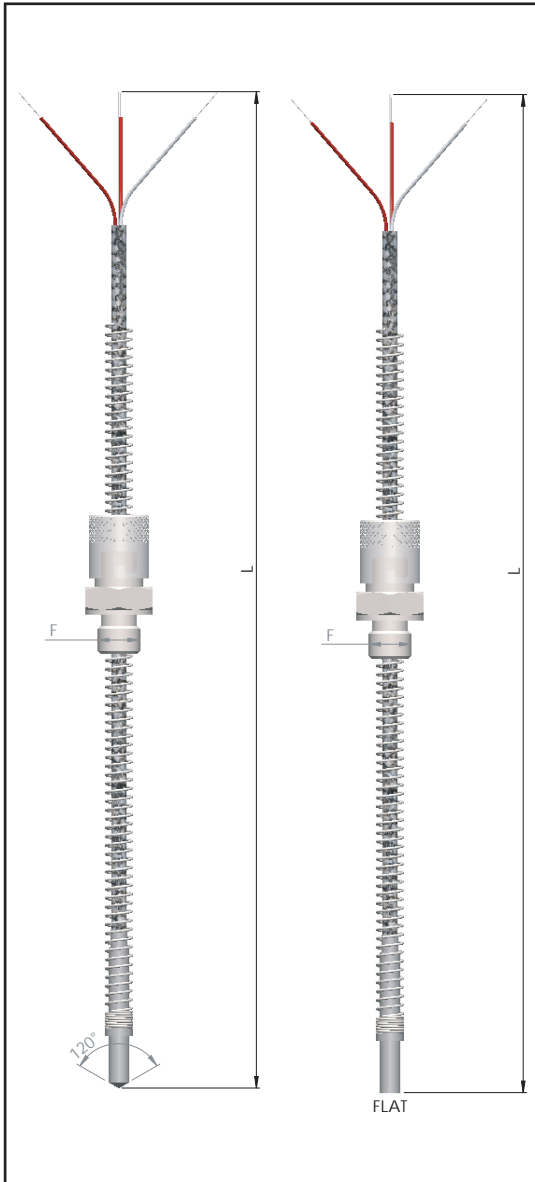


# THERMORESISTANCE with BAJONET CONNECTION



<b>A) RTD Type:</b>	Pt100 / 500 / 1000 $\Omega$ a 0°C Ni100 / 200 $\Omega$ a 0°C
<b>A1) Range:</b>	-50..+400°C
<b>B) Number of Sensor:</b>	Single, Double, Triple
<b>B1) Electrical Connection:</b>	2 / 3 / 4 wires
<b>B2) Accuracy:</b>	Class AA / A / B / BB <i>according to IEC 60751 standard</i>
<b>C) Sheath Material:</b>	SS 304 / SS 316 / INCONEL 600 <i>other on request</i>
<b>C1) Sheath Diameter (d):</b>	<i>dependent on tubing <math>\emptyset</math></i>
<b>C2) Connection (F):</b>	M12 / G ¼ <i>other on request</i>
<b>C3) Tip Type:</b>	120° / FLAT
<b>D) Spring Material:</b>	Inox
<b>D1) Spring Length :</b>	200mm STD <i>other on request</i>
<b>E) Cable Type:</b>	<i>see Cable Section</i>
<b>E1) Cable Length (L):</b>	1000mm STD <i>other on request</i>